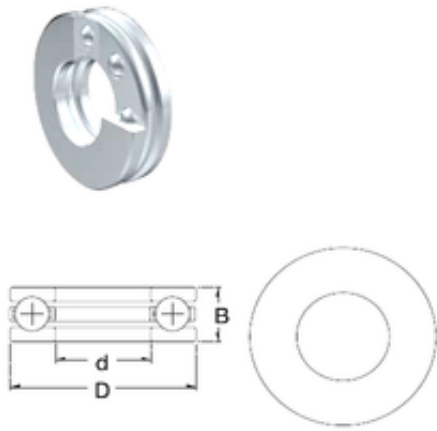




## Bearing Manufacturing of America

### ZEN S51104 thrust ball bearings

Bearing No. S51104



S51104 Bearing 2D drawings and 3D CAD models

Size	20x35x10 mm
Bore Diameter	20 mm
Outer Diameter	35 mm
Width	10 mm
d	20 mm
D	35 mm
H	10 mm
Basic dynamic load rating (C)	12,74 kN
Basic static load rating (C0)	16,6 kN
(Grease) Lubrication Speed	5600 r/min