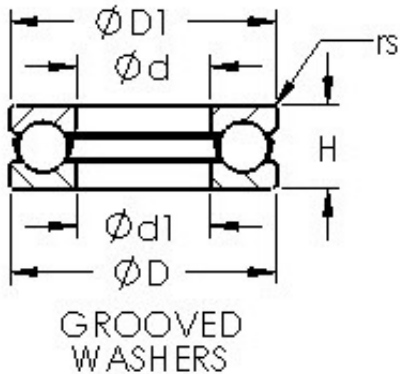




Bearing Manufacturing of America



AST 51109M thrust ball bearings

Bearing No. 51109M

Bore Diameter	45 mm
Outer Diameter	65 mm
Bearing Type	with grooved raceway(s)
Bore Dia (d)	45.0000
Outer Dia (D)	65.0000
Radius (min) (rs)	0.600
Static Load Rating (Cor)	56,600
Dynamic Load Rating (Cr)	23,800
Max Speed (Grease) (X1000 RPM)	3
Max Speed (Oil) (X1000 RPM)	5
Height (H)	14.0000
Outer Dia. Pilot (D1)	65.0000
Bore Dia. Clearance (d1)	47.0000
Weight (g)	155.00
Material	52100 chrome steel, or equivalent.

51109M Bearing 2D drawings and 3D CAD models