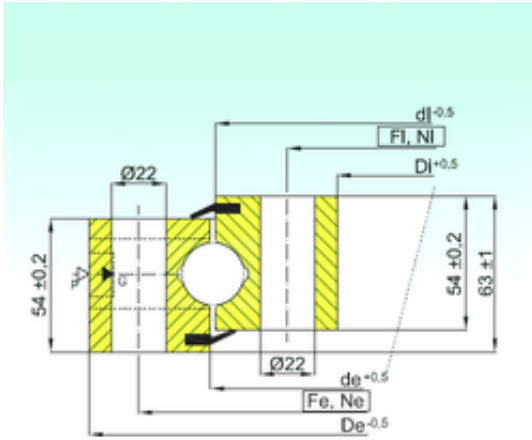




Bearing Manufacturing of America

ISB NB1.25.1255.200-1PPN thrust ball bearings

Bearing No. NB1.25.1255.200-1PPN



NB1.25.1255.200-1PPN Bearing 2D drawings and 3D CAD models

Size	1155x1355x63 mm
Bore Diameter	1155 mm
Outer Diameter	1355 mm
Width	63 mm
d	1155 mm
D	1355 mm
H	63 mm
de	1254 mm
di	1256 mm
Di	1155 mm
De	1355 mm
Fe	1315 mm
Ne	42 mm
Fi	1195 mm
Ni	42 mm