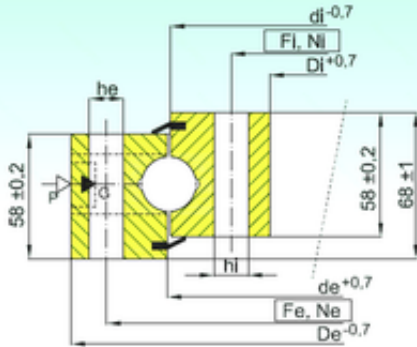




# Bearing Manufacturing of America

## ISB NB1.25.1644.400-1PPN thrust ball bearings

Bearing No. NB1.25.1644.400-1PPN



NB1.25.1644.400-1PPN Bearing 2D drawings and 3D CAD models

Size	1536x1752x68 mm
Bore Diameter	1536 mm
Outer Diameter	1752 mm
Width	68 mm
d	1536 mm
D	1752 mm
H	68 mm
de	1646 mm
di	1642 mm
Di	1536 mm
De	1752 mm
Fe	1708 mm
Ne	54 mm
Fi	1580 mm
Ni	54 mm
he	22 mm
hi	22 mm