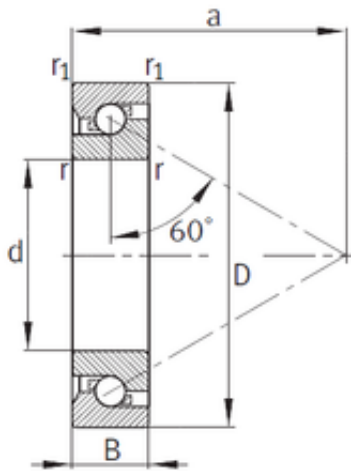




Bearing Manufacturing of America



12 mm x 32 mm x 10 mm 12 mm x 32 mm x 10 mm FAG 7602012-TVP thrust ball bearings

Bearing No. 7602012-TVP

Size	12x32x10 mm
Bore Diameter	12 mm
Outer Diameter	32 mm
Width	10 mm
d	12 mm
D	32 mm
B	10 mm
C	10 mm
Angle (°)	60 °
a	24 mm
r min.	0,6 mm
r1 min.	0,6 mm
Da	27 mm
da	17 mm
Weight	0,042 Kg
Basic dynamic load rating (C)	12,2 kN
Basic static load rating (C0)	20,7 kN

7602012-TVP Bearing 2D drawings and 3D CAD models