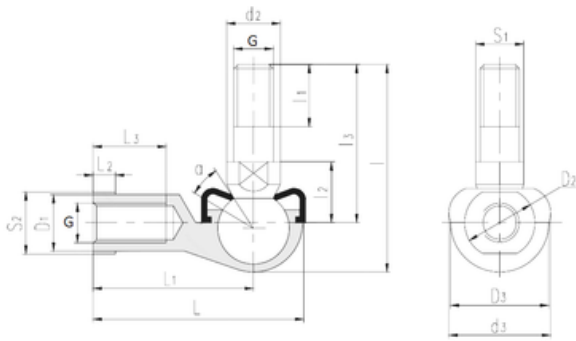




Bearing Manufacturing of America

LS SQ10-RS plain bearings



Bearing No. SQ10-RS

S1	11 mm
L2	6,5 mm
L3	21 mm
L	50,5 mm
d2	14 mm
d3	30 mm
L1 min.	15 mm
L2 max.	17 mm
L3 min.	37 mm
D1	15 mm
D2	19 mm
D3	27 mm
L	57 mm
L1	43,5 mm
S2	17 mm
Thread (G)	M10 × 1,25
Angle	25 °
Weight	0,112 Kg

SQ10-RS Bearing 2D drawings and 3D CAD models