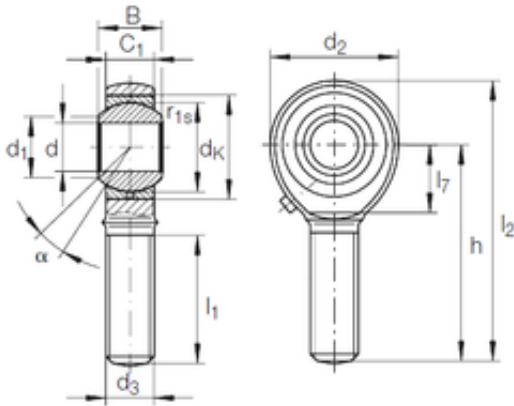




Bearing Manufacturing of America

25 mm x 47 mm x 31 mm 25 mm x 47 mm x 31 mm INA GAKFR 25 PB plain bearings



Bearing No. GAKFR 25 PB

Size	25x47x31 mm
Bore Diameter	25 mm
Outer Diameter	47 mm
Width	31 mm
d	25 mm
D	47 mm
B	31 mm
d1	29,5 mm
d2	60 mm
dk	42,85 mm
h	94 mm
l1 min.	55 mm
l2 max.	124 mm
l7 min.	32 mm
r1 min.	0,3 mm
C1	22 mm
Thread (G)	M24X2
Angle	15 °
Weight	0,64 Kg
Basic dynamic load rating (C)	47,5 kN

GAKFR 25 PB Bearing 2D drawings and 3D CAD models