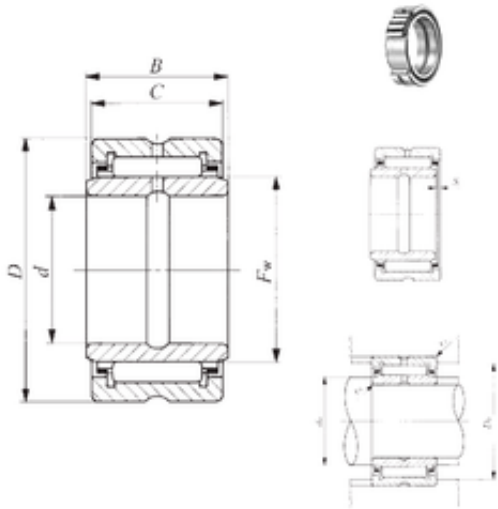




Bearing Manufacturing of America



12,7 mm x 31,75 mm x 25,65 mm 12,7 mm x 31,75 mm x 25,65 mm IKO BRI 82016 needle roller bearings

Bearing No. BRI 82016

Size	12.7x31.75x25.65 mm
Bore Diameter	12,7 mm
Outer Diameter	31,75 mm
Width	25,65 mm
d	12,7 mm
Fw	19,05 mm
D	31,75 mm
B	25,65 mm
C	25,4 mm
da min.	17,5 mm
da max	18 mm
Da max.	26,5 mm
ra max.	1 mm
S	0,5 mm
Weight	0,106 Kg
Basic dynamic load rating (C)	27,6 kN
Basic static load rating (C0)	33,1 kN

BRI 82016 Bearing 2D drawings and 3D CAD models