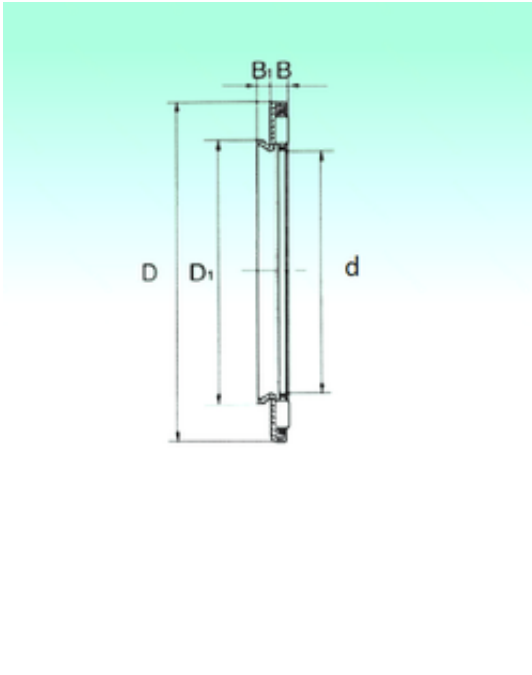




Bearing Manufacturing of America



AXW 50 Bearing 2D drawings and 3D CAD models

50 mm x 73 mm x 4,2 mm 50 mm x 73 mm x 4,2 mm NBS AXW 50 needle roller bearings

Bearing No. AXW 50

Size	50x58x4.2 mm
Bore Diameter	50 mm
Outer Diameter	58 mm
Width	4,2 mm
d	50 mm
D	73 mm
D1	58 mm
B	4,2 mm
B1	4,5 mm
Weight	0,0492 Kg
Basic dynamic load rating (C)	31,8 kN
Basic static load rating (C0)	140,9 kN