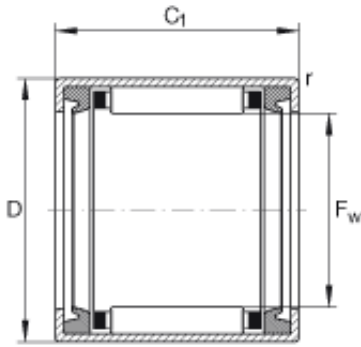




Bearing Manufacturing of America



INA HK1214-2RS needle roller bearings

Bearing No. HK1214-2RS

Size	12x16x14 mm
Bore Diameter	12 mm
Outer Diameter	16 mm
Width	14 mm
F_w	12 mm
D	16 mm
C_1 - 14 mm / Tolerance: -0,3	14 mm / Tolerance: 0,3
r_{min}	0,8 mm
m	11 g / Weight
C_r	4950 N / Dynamic load rating (radial)
C_{0r}	6200 N / Static load rating (radial)
C_{ur}	800 N / Fatigue limit load, radial
$n_{G\text{ Fett}}$	14000 1/min / Limiting speed for grease lubrication

HK1214-2RS Bearing 2D drawings and 3D CAD models