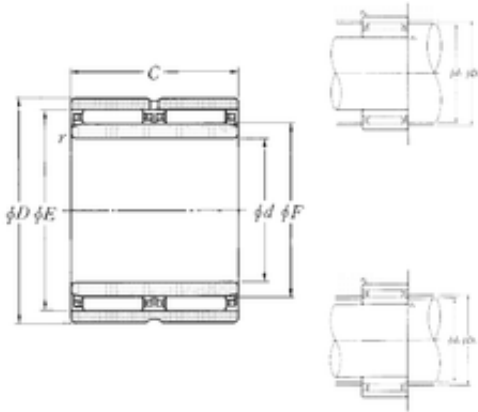




Bearing Manufacturing of America

45 mm x 72 mm x 40 mm 45 mm x 72 mm x 40 mm NTN NAO-45 x 72 x 40ZW needle roller bearings



Bearing No. NAO-45 x 72 x 40ZW

Bore Diameter	45 mm
Outer Diameter	63 mm
d	45 mm
F	55 mm
D	72 mm
E	63 mm
B	40 mm
C	40 mm
r min.	0,6 mm
da min.	49 mm
Da max.	68 mm
db	62,4 mm
ra max.	0,6 mm
Db	55,8 mm
Weight	0,66 Kg
Basic dynamic load rating (C)	66,5 kN
Basic static load rating (C0)	140 kN
(Grease) Lubrication Speed	4 800 r/min

NAO-45 x 72 x 40ZW Bearing 2D drawings and 3D CAD models