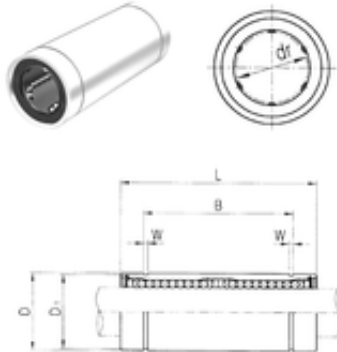




## Bearing Manufacturing of America

10 mm x 19 mm x 44 mm 10 mm x 19 mm x 44 mm Samick LM10LUU linear bearings



Bearing No. LM10LUU

Size	10x19x44 mm
Bore Diameter	10 mm
Outer Diameter	19 mm
Width	44 mm
d	10 mm
D	19 mm
B	44 mm
D1	18 mm
L	55 mm
W	1,3 mm
Weight	0,062 Kg
Basic dynamic load rating (C)	0,58 kN

LM10LUU Bearing 2D drawings and 3D CAD models