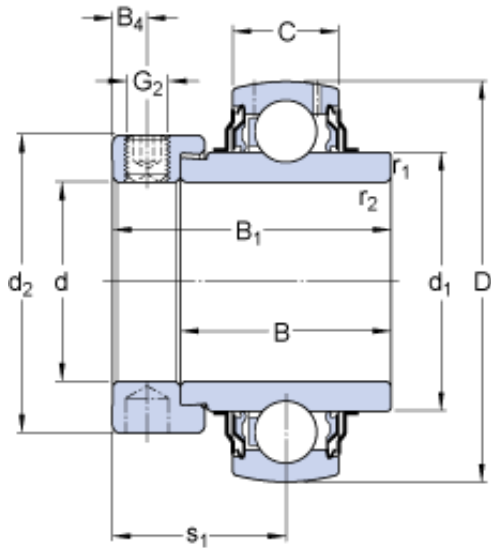




Bearing Manufacturing of America



YEL 207-2F Bearing 2D drawings and 3D CAD models

35 mm x 72 mm x 37.6 mm 35 mm x 72 mm x 37.6 mm SKF YEL 207-2F deep groove ball bearings

Bearing No. YEL 207-2F

Size	72x35x51.1 mm
Bore Diameter	72 mm
Outer Diameter	35 mm
Width	51,1 mm
d	35 mm
D	72 mm
B ₁	51.1 mm
C	19 mm
d ₁	46.1 mm
d ₂	51.1 mm
B	37.6 mm
B ₄	6.75 mm
r _{1,2} - min.	1 mm
s ₁	32.3 mm
Basic dynamic load rating - C	25.5 kN
Basic static load rating - C ₀	15.3 kN
Fatigue load limit - P _u	0.655 kN
Limiting speed with shaft tolerance h6	5300 r/min
Calculation factor - f ₀	14
Mass bearing	0.55 kg
Thread - G ₂	M10x1
Hexagonal key size for grub	5 mm



Bearing Manufacturing of America

screw - H	
Category	Insert Bearings Spherical OD
Inventory	0.0
Manufacturer Name	SKF
Minimum Buy Quantity	N/A
Weight / Kilogram	0.552
Product Group	M06110
Inner Race Profile	Wide Inner Ring
Outer Race Profile	Spherical
Relubricatable	Yes
Seal Type	M Seal
Mounting Method	Eccentric Collar
Rolling Element	Ball Bearing
Snap Ring	No
Long Description	35MM Bore; Wide Inner Ring; Ball Bearing; 51.1MM Length Thru Bore; 19MM Outer Race Width; 72MM Outside Diameter; Relubricatable; M Seal Seal; Eccentric Collar Mounting Method; No Snap Ring
Inch - Metric	Metric
Other Features	Single Row Standard Duty With Set Screw Has Flinger Metric
Category	Insert Bearings
UNSPSC	31171536
Harmonized Tariff Code	8482.10.50.00
Noun	Bearing
Keyword String	Insert
Manufacturer URL	http://www.skf.com
Manufacturer Item Number	YEL 207-2F
Weight / LBS	1.21



Bearing Manufacturing of America

Bore	1.378 Inch 35 Millimeter
Length Thru Bore	2.012 Inch 51.1 Millimeter
Outside Diameter	2.835 Inch 72 Millimeter
Outer Race Width	0.748 Inch 19 Millimeter
bore diameter:	35 mm
radial dynamic load capacity:	25.5 kN
outside diameter:	72 mm
radial static load capacity:	15.3 kN
outer ring width:	19 mm
bearing material:	Stainless Steel
inner ring width:	51.1 mm
finish/coating:	Black Oxide
bore type:	Round
seal type:	Contact with Flinger
locking device:	Eccentric Collar
series:	YEL2
operating temperature range:	-40 to +210 ° F
B_1	51.1 mm
d_1	46.1 mm
d_2	51.1 mm
B_4	6.75 mm
$r_{1,2}$ min.	1 mm
s_1	32.3 mm
Basic dynamic load rating C	25.5 kN
Basic static load rating C_0	15.3 kN
Fatigue load limit P_u	0.655 kN
Limiting speed ¹⁾	5300 r/min
Calculation factor f_0	14
Mass complete bearing	0.54 kg
Thread grub screw G_2	M10x1
Hexagonal key size for grub	5 mm



Bearing Manufacturing of America

screw N	
Recommended tightening torque for grub screw	16.5 N · m