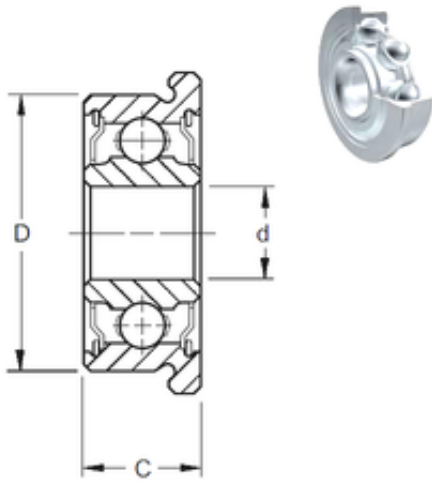




## Bearing Manufacturing of America



5 mm x 11 mm x 5 mm 5 mm x 11 mm x 5 mm  
ZEN SF685-2Z deep groove ball bearings

Bearing No. SF685-2Z

Size	5x11x5 mm
Bore Diameter	5 mm
Outer Diameter	11 mm
Width	5 mm
d	5 mm
D	11 mm
B	5 mm
C	5 mm
Basic dynamic load rating (C)	0,716 kN
Basic static load rating (C0)	0,282 kN

SF685-2Z Bearing 2D drawings and 3D CAD models