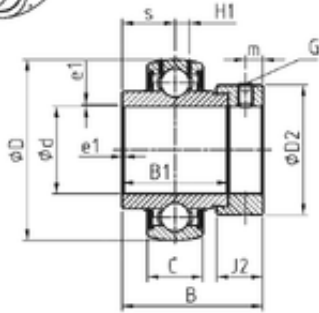




Bearing Manufacturing of America



90 mm x 160 mm x 72,5 mm 90 mm x 160 mm x 72,5 mm SNR EX218 deep groove ball bearings

Bearing No. EX218

Size	90x160x72.5 mm
Bore Diameter	90 mm
Outer Diameter	160 mm
Width	72,5 mm
d	90 mm
D	160 mm
B	72,5 mm
B1	55 mm
C	37 mm
e	2 mm
a	6 mm
m	9,5 mm
s	24,5 mm
D2	120 mm
H1	12 mm
Thread (G)	M12x1,25
J2	24 mm
Weight	4,9 Kg
Basic dynamic load rating (C)	96 kN

EX218 Bearing 2D drawings and 3D CAD models