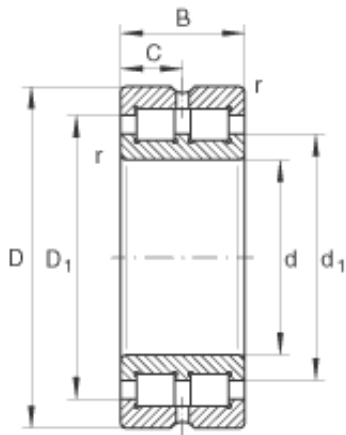




Bearing Manufacturing of America



200 mm x 250 mm x 50 mm 200 mm x 250 mm
x 50 mm INA SL014840 cylindrical roller bearings

Bearing No. SL014840

SL014840 Bearing 2D drawings and 3D CAD models

Size	200x250x50 mm
Bore Diameter	200 mm
Outer Diameter	250 mm
Width	50 mm
d	200 mm
D	250 mm
B	50 mm
C	25 mm
D ₁	231,2 mm
d ₁	218,1 mm
r _{min}	1,5 mm
	NNC4840V / Designation to DIN 5412
m	5,9 kg / Weight
C _r	320000 N / Dynamic load rating (radial)
C _{0r}	770000 N / Static load rating (radial)
C _{ur}	84000 N / Fatigue limit load, radial
n _G	1410 1/min / Limiting speed
Category	Cylindrical Roller Bearings
Inventory	0.0
Manufacturer Name	SCHAEFFLER GROUP
Minimum Buy Quantity	N/A
Weight / Kilogram	6.52



Bearing Manufacturing of America

Product Group	B04144
Bore Profile	Straight
Cage Material	None
Precision Class	RBEC 1 ISO P0
Number of Rows of Rollers	Double Row
Separable	No
Rolling Element	Cylindrical Roller Bearing
Profile	Complete with Outer and Inner Ring
Snap Ring	No
Internal Clearance	C0-Medium
Retainer	No
Relubricatable	Yes
Inch - Metric	Metric
Other Features	Full Complement 3 Rib Inner Ring 2 Rib Outer Ring Operating Temperature From -30 to 120 Deg
Long Description	200MM Bore; Straight Bore Profile; 250MM Outside Diameter; 50MM Width; RBEC 1 ISO P0; Double Row; Not Separable; No Snap Ring; Relubricatable; C0-Medium Internal Clearance; No Retainer
Category	Cylindrical Roller Bearing
UNSPSC	31171547
Harmonized Tariff Code	8482.50.00.00
Noun	Bearing
Manufacturer URL	http://www.ina.com
Manufacturer Item Number	SL014840
Weight / LBS	14.362
Width	1.969 Inch 50 Millimeter
Bore	7.874 Inch 200 Millimeter



Bearing Manufacturing of America

Outside Diameter	9.843 Inch 250 Millimeter
------------------	-----------------------------