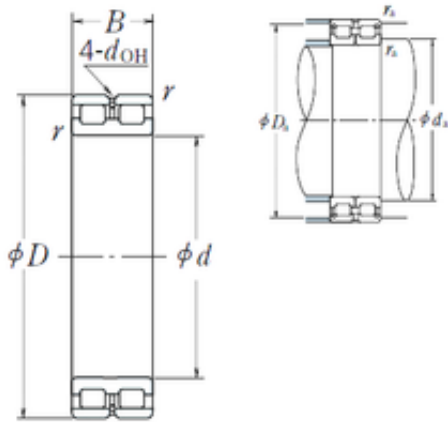




Bearing Manufacturing of America



220 mm x 270 mm x 50 mm 220 mm x 270 mm
x 50 mm NSK RSF-4844E4 cylindrical roller
bearings

Bearing No. RSF-4844E4

RSF-4844E4 Bearing 2D drawings and 3D CAD models

Size	220x270x50 mm
Bore Diameter	220 mm
Outer Diameter	270 mm
Width	50 mm
d	220 mm
D	270 mm
B	50 mm
C	50 mm
r min.	1,5 mm
da min.	228 mm
Da max.	262 mm
ra max.	1,5 mm
Weight	6,45 Kg
Basic dynamic load rating (C)	340 kN
Basic static load rating (C0)	905 kN
(Grease) Lubrication Speed	450 r/min
hidYobi	RSF-4844E4
LangID	1
D_	270
B_	50
hidTable	ecat_NSCLDRS
Oil rpm	450
mass	6.45
GRS rpm	900



Bearing Manufacturing of America

ra	1
da_min	228
C0	905
DE_	256.9
Prod_Type3	CRB_FRFS_OT_FREE
DA_	11
Z_	70
yobi	RSF-4844E4
da_max	262
SDM_	245.9
r	1.5
KBRG	4210
disp	3.5
DI_	234.9
doh	5