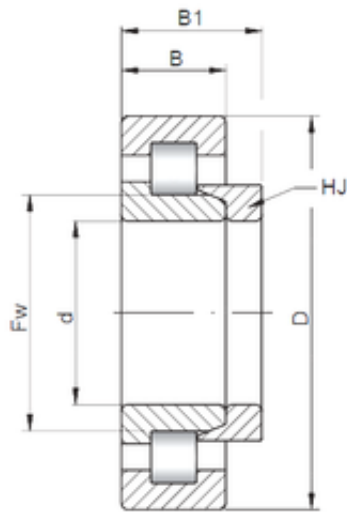




## Bearing Manufacturing of America



70 mm x 150 mm x 51 mm 70 mm x 150 mm x 51 mm ISO NH2314 cylindrical roller bearings

Bearing No. NH2314

Dimensione	70x150x51 mm
Marchio	ISO
Diametro del foro	70 mm
Diametro esterno	150 mm
Larghezza	51 mm
d	70 mm
D	150 mm
B	51 mm
C	51 mm
B1	10 mm
B2	18,5 mm

NH2314 Bearing 2D drawings and 3D CAD models