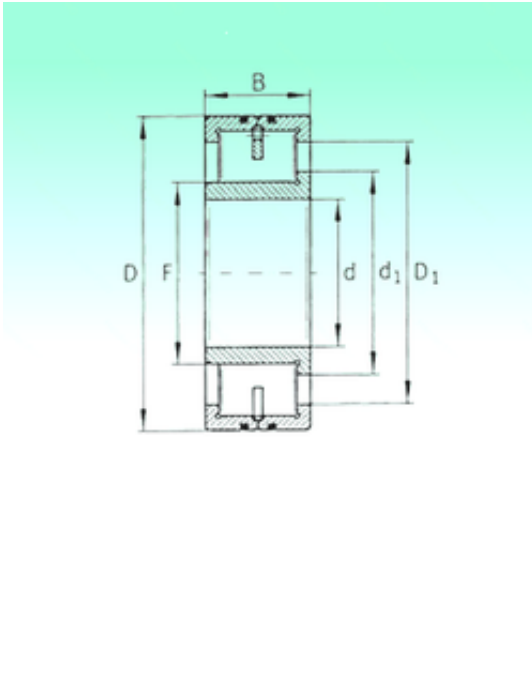




Bearing Manufacturing of America



LSL192317 Bearing 2D drawings and 3D CAD models

85 mm x 180 mm x 60 mm 85 mm x 180 mm x 60 mm NBS LSL192317 cylindrical roller bearings

Bearing No. LSL192317

Size	85x180x60 mm
Bore Diameter	85 mm
Outer Diameter	180 mm
Width	60 mm
d	85 mm
F	100 mm
D	180 mm
B	60 mm
C	60 mm
d1	111,3 mm
D1	143,9 mm
S	4 mm
Weight	7,3 Kg
Basic dynamic load rating (C)	500 kN
Basic static load rating (C0)	520 kN