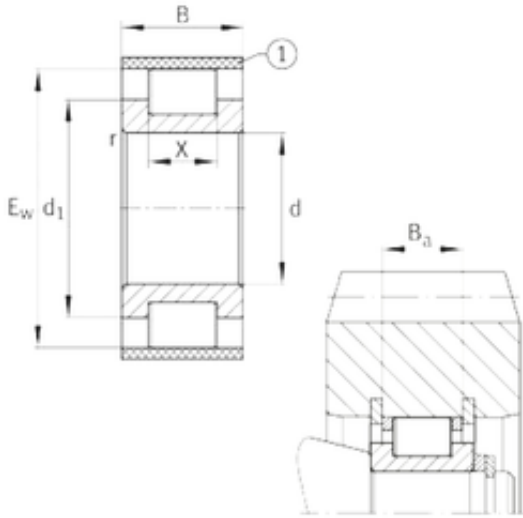




Bearing Manufacturing of America



INA RSL183028-A cylindrical roller bearings

Bearing No. RSL183028-A

Size	140x197.82x53 mm
Bore Diameter	140 mm
Outer Diameter	197,82 mm
Width	53 mm
d	140 mm
Ew	197,82 mm
B	53 mm
Ba	48,4 mm
X	34 mm
d1	163 mm
r min.	2 mm
Weight	4,1 Kg
Basic dynamic load rating (C)	455 kN

RSL183028-A Bearing 2D drawings and 3D CAD models