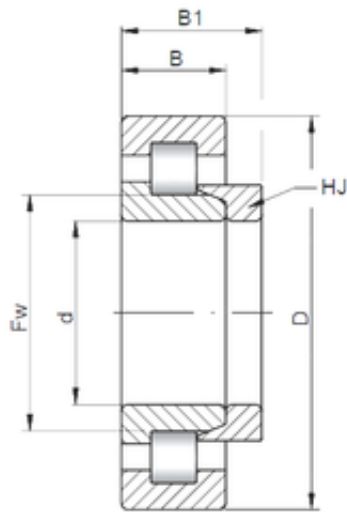




Bearing Manufacturing of America



140 mm x 250 mm x 68 mm 140 mm x 250 mm
x 68 mm ISO NH2228 cylindrical roller bearings

Bearing No. NH2228

Size	140x250x68 mm
Bore Diameter	140 mm
Outer Diameter	250 mm
Width	68 mm
d	140 mm
D	250 mm
B	68 mm
C	68 mm
B1	11 mm
B2	23 mm

NH2228 Bearing 2D drawings and 3D CAD models