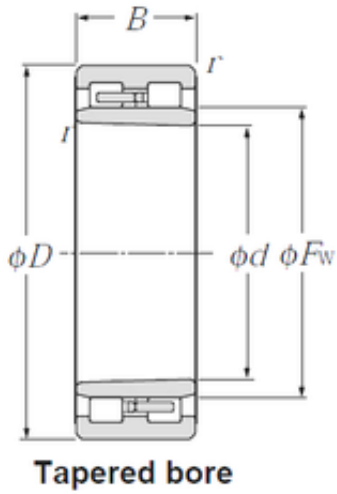




# Bearing Manufacturing of America



440 mm x 600 mm x 160 mm 440 mm x 600 mm  
x 160 mm NTN NNU4988K cylindrical roller  
bearings

Bearing No. NNU4988K

Size	440x600x160 mm
Bore Diameter	440 mm
Outer Diameter	600 mm
Width	160 mm
d	440 mm
Fw	492 mm
D	600 mm
B	160 mm
C	160 mm
r min.	4 mm
Weight	121 Kg
Basic dynamic load rating (C)	2 150 kN
Basic static load rating (C0)	5 550 kN
(Grease) Lubrication Speed	850 r/min

NTN4988K Bearing 2D drawings and 3D CAD models