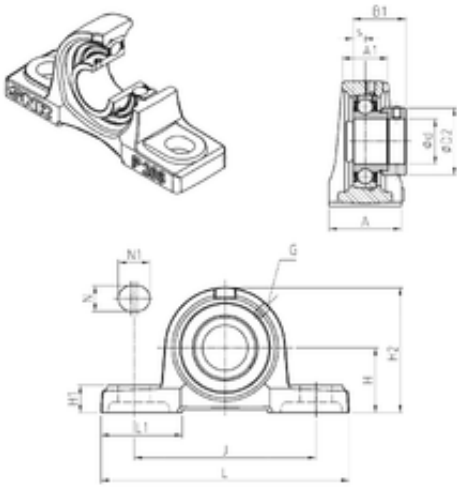




# Bearing Manufacturing of America



## SNR ESP201 bearing units

Bearing No. ESP201

Bore Diameter	12 mm
d	12 mm
s	6,5 mm
A	38 mm
A1	22 mm
B1	28,6 mm
D2	28,6 mm
H	30,2 mm
H1	15 mm
H2	62 mm
J	95 mm
L	127 mm
L1	42 mm
N	13 mm
N1	19 mm
Thread (G)	M6x1
Weight	0,7 Kg
Basic dynamic load rating (C)	9,55 kN

ESP201 Bearing 2D drawings and 3D CAD models