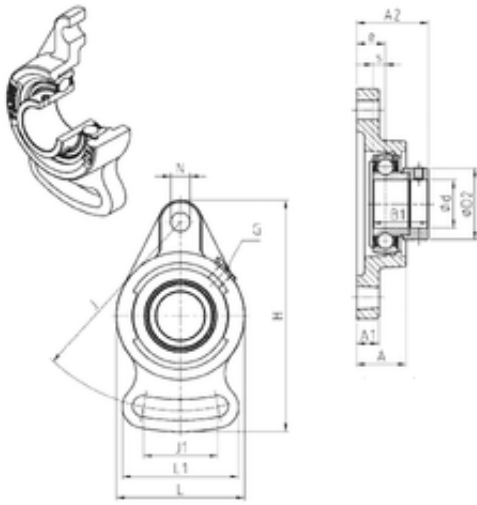




Bearing Manufacturing of America



SNR ESFA202 bearing units

Bearing No. ESFA202

Bore Diameter	15 mm
d	15 mm
e	13 mm
s	6,5 mm
A	22 mm
A1	9 mm
B1	28,6 mm
D2	28,6 mm
H	95 mm
J	75 mm
L	57 mm
L1	47 mm
N	10 mm
Thread (G)	M6x1
A2	35,1 mm
J1	37 mm
Weight	0,5 Kg
Basic dynamic load rating (C)	9,55 kN
B	19.1 mm
d1	27.2 mm
G	M6x1
s1	23.05 mm
S	6.5 mm
C	9.55 kN
C0	4.78 kN
T min.	-20 ° C

ESFA202 Bearing 2D drawings and 3D CAD models



Bearing Manufacturing of America

T max.	100 ° C
Recommended tightening torque for set screw	5.5 Nm
Designation of housing	FA203-
Designation of bearing	ES202G2