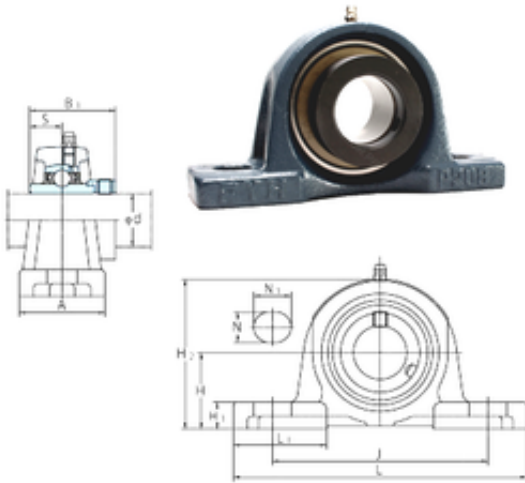




Bearing Manufacturing of America

FYH NAP205 bearing units



Bearing No. NAP205

Bore Diameter	25 mm
Width	36,5 mm
d	25 mm
A	38 mm
B1	44,4 mm
H	36,5 mm
H1	13 mm
H2	71 mm
J	105 mm
L	140 mm
L1	43 mm
N	13 mm
N1	18 mm
S	17,5 mm
Bolt (G)	M10
Weight	0,87 Kg
Basic dynamic load rating (C)	14 kN
Category	Mounted Units & Inserts
Inventory	0.0
Manufacturer Name	FYH BEARING UNITS
Minimum Buy Quantity	N/A
Weight / Kilogram	0
Product Group	M06110

NAP205 Bearing 2D drawings and 3D CAD models