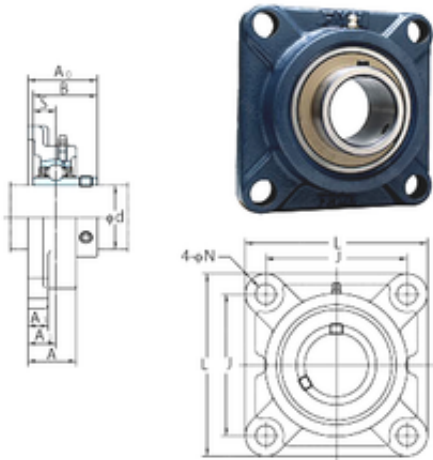




Bearing Manufacturing of America

FYH UCF318 bearing units



Bearing No. UCF318

Bore Diameter	90 mm
d	90 mm
A0	100 mm
A	76 mm
A1	30 mm
B	96 mm
J	216 mm
L	280 mm
N	35 mm
S	40 mm
Bolt (G)	M30
A2	44 mm
Weight	18,9 Kg
Basic dynamic load rating (C)	143 kN
Basic static load rating (C0)	107 kN
Category	Mounted Units & Inserts
Inventory	0.0
Manufacturer Name	FYH BEARING UNITS
Minimum Buy Quantity	N/A
Weight / Kilogram	0
Product Group	M06110

UCF318 Bearing 2D drawings and 3D CAD models