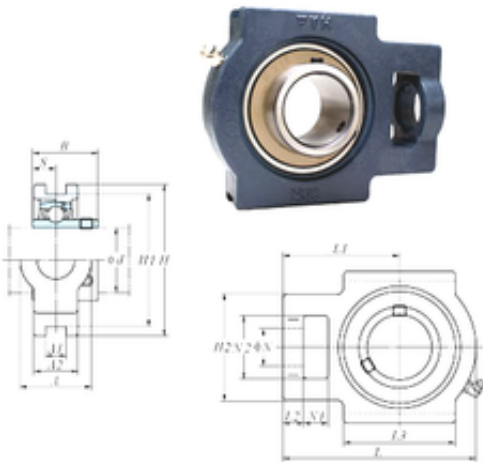




Bearing Manufacturing of America

FYH UCT320 bearing units

Bearing No. UCT320



UCT320 Bearing 2D drawings and 3D CAD models

Bore Diameter	100 mm
d	100 mm
L2	32 mm
L3	200 mm
A	120 mm
A1	35 mm
B	108 mm
H	290 mm
H1	260 mm
H2	175 mm
L	345 mm
L1	210 mm
N	59 mm
N1	48 mm
S	42 mm
A2	75 mm
N2	115 mm
Weight	30,7 Kg
Basic dynamic load rating (C)	173 kN
Basic static load rating (C0)	141 kN
Category	Mounted Units & Inserts
Inventory	0.0
Manufacturer Name	FYH BEARING UNITS
Minimum Buy Quantity	N/A
Weight / Kilogram	0
Product Group	M06110



Bearing Manufacturing of America