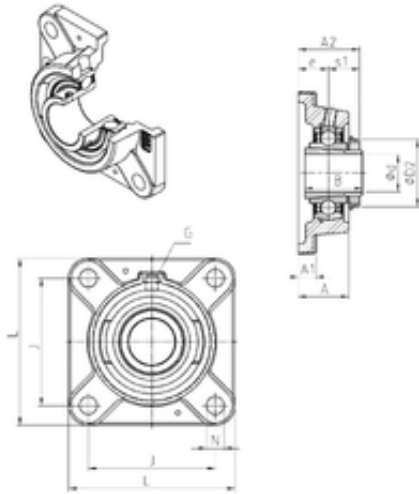




# Bearing Manufacturing of America

## SNR UKFE205H bearing units

Bearing No. UKFE205H



UKFE205H Bearing 2D drawings and 3D CAD models

Bore Diameter	20 mm
d	20 mm
e	19 mm
s1	18,5 mm
A	30 mm
A1	11 mm
B	35 mm
D2	38 mm
J	70 mm
L	95 mm
N	11,5 mm
Thread (G)	R1/8"
A2	37,5 mm
Weight	0,8 Kg
Basic dynamic load rating (C)	14 kN