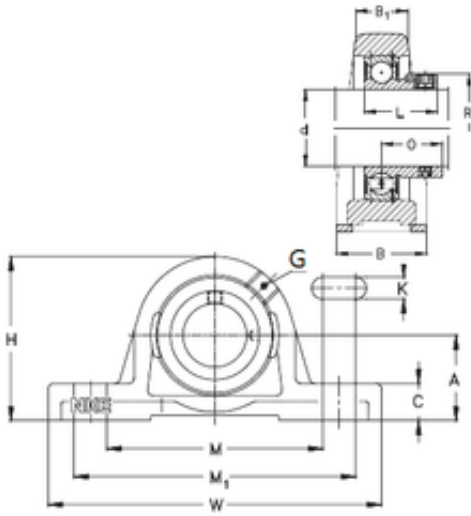




Bearing Manufacturing of America

NKE RASEY20-N bearing units

Bearing No. RASEY20-N



RASEY20-N Bearing 2D drawings and 3D CAD models

| | |
|---------------|---------|
| Bore Diameter | 20 mm |
| Width | 32 mm |
| d | 20 mm |
| O | 18,3 mm |
| A | 33,3 mm |
| B | 32 mm |
| B1 | 19 mm |
| C | 14,5 mm |
| H | 64 mm |
| K | 11 mm |
| L | 31 mm |
| M | 89,5 mm |
| M1 | 105 mm |
| W | 130 mm |
| Thread (G) | R1/8 " |