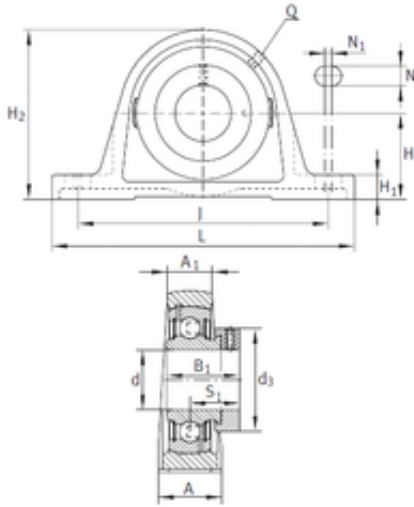




# Bearing Manufacturing of America



## INA PAK2-7/16 bearing units

Bearing No. PAK2-7/16

Bore Diameter	61,913 mm
d	61,913 mm
S1	39,599 mm
Thread (Q)	1/8 NPT
d3	83,998 mm
A	64,999 mm
A1	46,99 mm
B	53,112 mm
H	68,301 mm
H1	26,391 mm
H2	138,405 mm
J	189,256 mm
L	245,009 mm
N	18,009 mm
N1	12,243 mm
Category	Pillow Block Bearings
Inventory	0.0
Manufacturer Name	SCHAEFFLER GROUP
Minimum Buy Quantity	N/A
Weight / Kilogram	5.209
Product Group	M06110
Number of Mounting Holes	2
Mounting Method	Eccentric Collar
Housing Style	2 Bolt Pillow Block
Rolling Element	Ball Bearing
Housing Material	Cast Iron

PAK2-7/16 Bearing 2D drawings and 3D CAD models



## Bearing Manufacturing of America

Expansion / Non-expansion	Non-expansion
Relubricatable	Yes
Insert Part Number	GRA207NPPB
Seals	Double Lip Contact
Housing Configuration	1 Piece Solid
Inch - Metric	Inch
Other Features	Single Row   Spherical   Low Base   With Set Screw
Long Description	2 Bolt Pillow Block; 2-7/16" Bore; 2-11/16" Base to Center Height; Eccentric Collar Mount; Ball Bearing; 6-31/32" Minimum Bolt Spacing; 7.933" Bolt Spacing Maximum; Relubricatable;
Category	Pillow Block
UNSPSC	31171511
Harmonized Tariff Code	8483.20.40.40
Noun	Bearing
Keyword String	Pillow Block
Manufacturer URL	<a href="http://www.ina.com">http://www.ina.com</a>
Manufacturer Item Number	PAK2-7/16
Weight / LBS	12.348
Base to Center Height	2.688 Inch   68.275 Millimeter
Nominal Bolt Center to Center	7.5 Inch   190 Millimeter
Length Thru Bore	2.091 Inch   53.1 Millimeter
Bolt Spacing Minimum	6.969 Inch   177 Millimeter
Bolt Spacing Maximum	7.933 Inch   201.5 Millimeter
Bore	2.438 Inch   61.925 Millimeter
Actual Bolt Center to Center	0 Inch   0 Millimeter