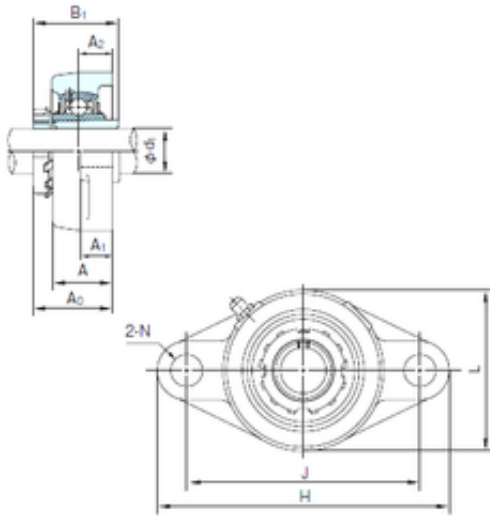




# Bearing Manufacturing of America



## NACHI UKFL213+H2313 bearing units

Bearing No. UKFL213+H2313

Bore Diameter	60 mm
d1	60 mm
A0	63 mm
A	50 mm
A1	24 mm
B1	65 mm
H	258 mm
J	210 mm
L	155 mm
L1	157 mm
N	23 mm
Bolt (G)	M20
A2	30 mm

UKFL213+H2313 Bearing 2D drawings and 3D CAD models