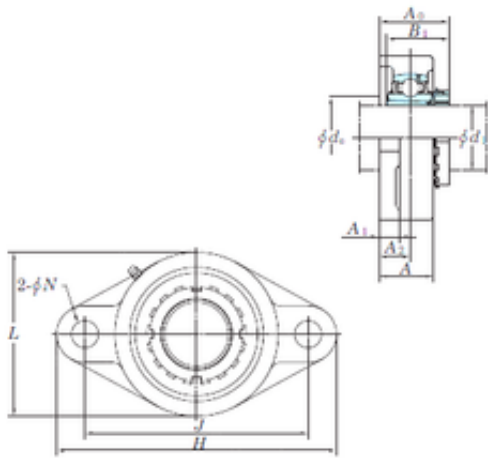




Bearing Manufacturing of America

KOYO UKFL318 bearing units

Bearing No. UKFL318



UKFL318 Bearing 2D drawings and 3D CAD models

Bore Diameter	80 mm
d	80 mm
A0	92 mm
A	76 mm
A1	36 mm
B1	86 mm
H	385 mm
J	315 mm
L	235 mm
N	38 mm
Bolt (G)	M33
A2	44 mm
Weight	19,1 Kg
Basic dynamic load rating (C)	143 kN
Basic static load rating (C0)	107 kN