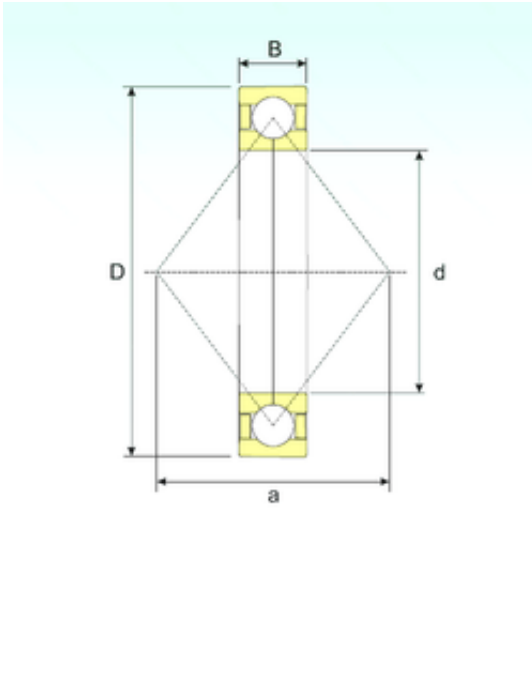




Bearing Manufacturing of America



120 mm x 215 mm x 40 mm 120 mm x 215 mm x 40 mm ISB QJ 224 N2 M angular contact ball bearings

Bearing No. QJ 224 N2 M

Size	120x215x40 mm
Bore Diameter	120 mm
Outer Diameter	215 mm
Width	40 mm
d	120 mm
D	215 mm
B	40 mm
C	40 mm
a	117 mm
Weight	6,95 Kg
Basic dynamic load rating (C)	294 kN
Basic static load rating (C0)	357 kN
(Grease) Lubrication Speed	3825 r/min

QJ 224 N2 M Bearing 2D drawings and 3D CAD models