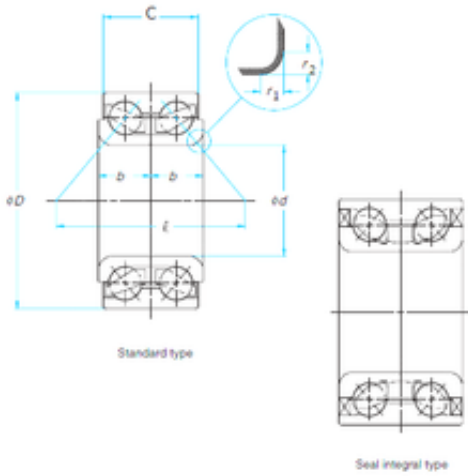




Bearing Manufacturing of America



40 mm x 80 mm x 36 mm 40 mm x 80 mm x 36 mm CYSD DAC4080036/34 angular contact ball bearings

Bearing No. DAC4080036/34

Size	40x80x36 mm
Bore Diameter	40 mm
Outer Diameter	80 mm
Width	36 mm
d	40 mm
D	80 mm
B	36 mm
C	36 mm

DAC4080036/34 Bearing 2D drawings and 3D CAD models