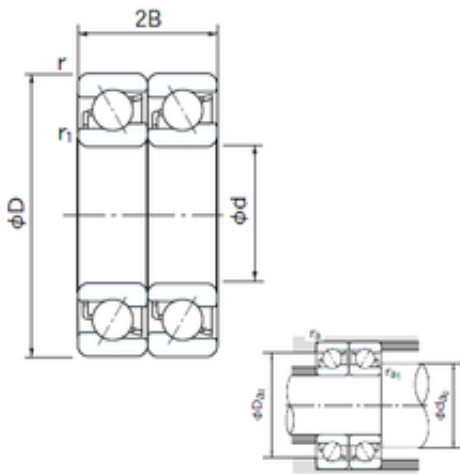




Bearing Manufacturing of America



12 mm x 28 mm x 8 mm 12 mm x 28 mm x 8 mm NACHI 7001DT angular contact ball bearings

Bearing No. 7001DT

7001DT Bearing 2D drawings and 3D CAD models

Size	12x28x8 mm
Bore Diameter	12 mm
Outer Diameter	28 mm
Width	8 mm
d	12 mm
D	28 mm
B	8 mm
C	8 mm
Angle (°)	30 °
a	1.7 mm
r min.	0.3 mm
r1 min.	0.15 mm
2B	16 mm
da min.	14 mm
Da max.	27 mm
ra max.	0.15 mm
Weight	0.024 Kg
Basic dynamic load rating (C)	8,8 kN
Basic static load rating (C0)	5,7 kN
(Grease) Lubrication Speed	18000 r/min
Bore Type	Cylindrical Bore
Enclosure	Open
Configuration	Duplex
Bore Size	12 mm
Outside Diameter	28 mm



Bearing Manufacturing of America

Width	8 mm
Fillet Radius/Chamfer	0.3 mm
r1	0.2 mm
Dynamic Load Rating	8,800 N
Static Load Rating	5,700 N
Limiting Speed - Grease	18,000 rpm
Limiting Speed - Oil	23,000 rpm
da1 (min)	14 mm
da2 (min)	14 mm
Da1 (max)	26 mm
Da2 (max)	27 mm
ra (max)	0.3 mm
ra1 (max)	0.2 mm