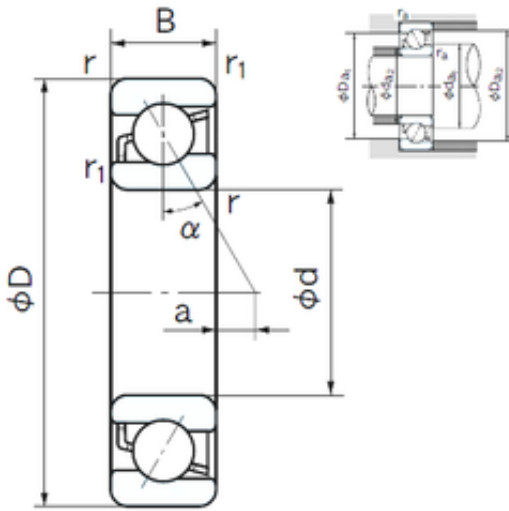




Bearing Manufacturing of America



170 mm x 360 mm x 72 mm 170 mm x 360 mm x 72 mm NACHI 7334B angular contact ball bearings

Bearing No. 7334B

7334B Bearing 2D drawings and 3D CAD models

Size	170x360x72 mm
Bore Diameter	170 mm
Outer Diameter	360 mm
Width	72 mm
d	170 mm
D	360 mm
B	72 mm
C	72 mm
Angle (°)	40 °
a	75.2 mm
r min.	4 mm
r1 min.	1.5 mm
da min.	188 mm
Da max.	342 mm
ra max.	3 mm
Weight	35.7 Kg
Basic dynamic load rating (C)	365 kN
Basic static load rating (C0)	460 kN
(Grease) Lubrication Speed	1400 r/min
Configuration	Single Row
Enclosure	Open
Bore Type	Cylindrical Bore
Bore Size	170 mm
Outside Diameter	360 mm



Bearing Manufacturing of America

Width	72 mm
Fillet Radius/Chamfer	4 mm
r1	1.5 mm
Dynamic Load Rating	365,000 N
Static Load Rating	460,000 N
Limiting Speed - Grease	1,400 rpm
Limiting Speed - Oil	2,000 rpm
da1 (min)	188 mm
da2 (min)	179 mm
Da1 (max)	342 mm
Da2 (max)	351 mm
ra (max)	3 mm
ra1 (max)	1.5 mm