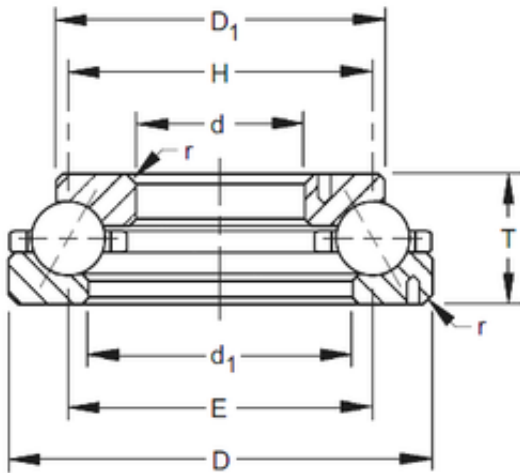




Bearing Manufacturing of America



Timken 180TVL605 angular contact ball bearings

Bearing No. 180TVL605

Size	457.2x625.475x92.075 mm
Bore Diameter	457,2 mm
Outer Diameter	625,475 mm
Width	92,075 mm
d	457,2 mm
D	625,475 mm
T	92,075 mm
d1	508 mm
D1	549,28 mm
E	541,3 mm
H	541,3 mm

180TVL605 Bearing 2D drawings and 3D CAD models