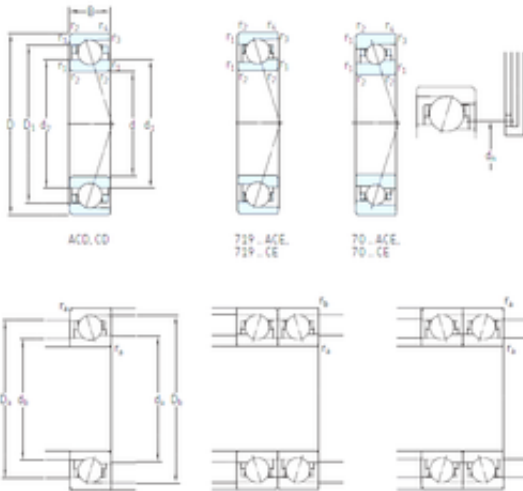




## Bearing Manufacturing of America



70 mm x 90 mm x 10 mm 70 mm x 90 mm x 10 mm SKF 71814 CD/P4 angular contact ball bearings

Bearing No. 71814 CD/P4

Size	70x90x10 mm
Bore Diameter	70 mm
Outer Diameter	90 mm
Width	10 mm
d	70 mm
D	90 mm
B	10 mm
C	10 mm
d1	76,7 mm
d2	76,7 mm
r1 min.	0,6 mm
r2 min.	0,6 mm
r3 min.	0,3 mm
r4 min.	0,3 mm
D1	83,5 mm
D2	– mm
da min.	73,2 mm
Da max.	86,8 mm
db min	73,2 mm
ra max.	0,6 mm
rb max.	0,3 mm
dh	77,4 mm
Db max	88 mm
Weight	0,13 Kg
Basic dynamic load rating	13,8 kN

71814 CD/P4 Bearing 2D drawings and 3D CAD models



## Bearing Manufacturing of America

(C)	
Basic static load rating (C <sub>0</sub> )	16 kN
(Grease) Lubrication Speed	14 000 r/min
(Oil) Lubrication Speed	22 000 r/min
Fatigue load limit (P <sub>u</sub> )	0,67
d <sub>1</sub>	76.7 mm
d <sub>2</sub>	76.7 mm
D <sub>1</sub>	83.5 mm
r <sub>1,2</sub> min.	0.6 mm
r <sub>3,4</sub> min.	0.3 mm
a	15.7 mm
d <sub>a</sub> min.	73.2 mm
d <sub>b</sub> min.	73.2 mm
D <sub>a</sub> max.	86.8 mm
D <sub>b</sub> max.	88 mm
r <sub>a</sub> max.	0.6 mm
r <sub>b</sub> max.	0.3 mm
d <sub>n</sub>	77.4 mm
Basic dynamic load rating C	13.8 kN
Basic static load rating C <sub>0</sub>	16 kN
Fatigue load limit P <sub>u</sub>	0.67 kN
Attainable speed for grease lubrication	14000 r/min
Attainable speed for oil-air lubrication	22000 r/min
Ball diameter D <sub>w</sub>	5.556 mm
Number of balls z	31
Reference grease quantity G <sub>ref</sub>	1.4 cm <sup>3</sup>
Preload class A G <sub>A</sub>	73 N
Static axial stiffness, preload class A	65 N/ μ m
Preload class B G <sub>B</sub>	220 N



## Bearing Manufacturing of America

Static axial stiffness, preload class B	112 N/ $\mu$ m
Preload class C $G_C$	440 N
Static axial stiffness, preload class C	166 N/ $\mu$ m
Calculation factor f	1.32
Calculation factor $f_1$	1
Calculation factor $f_{2A}$	1
Calculation factor $f_{2B}$	1.09
Calculation factor $f_{2C}$	1.16
Calculation factor $f_{HC}$	1
Calculation factor $f_0$	17.2
Mass bearing	0.13 kg